

## MZET 25 PSK-K-TSSL Cylinder Sensor

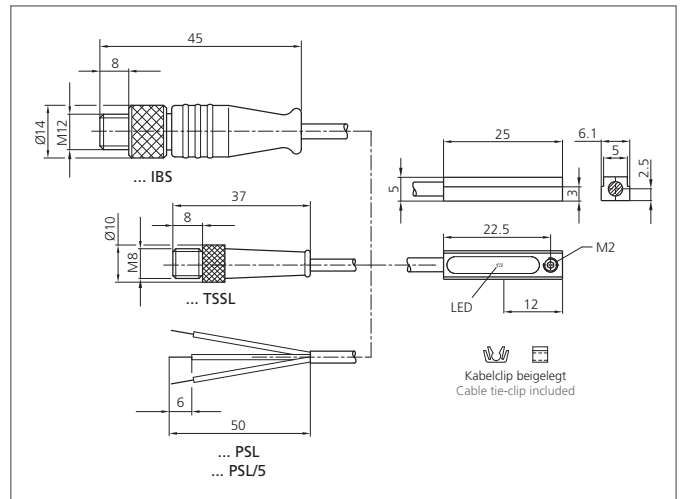
- For pneumatic cylinders with T-shaped slot
- Metal casing
- All-electronically
- High reproducibility
- High protection class
- Mounting accessory available for round, pull-rod and profiled cylinders



### Safety instructions

The Instruments are not to be used for safety applications, in particular applications in which safety of persons depends on proper operation of the instruments.

These instruments shall exclusively be used by qualified personnel.



| TECHNICAL INFORMATION (typ.) | +20°C, 24V DC  |
|------------------------------|--|
| Cylinder groove              | T-groove, mounting in longitudinal direction of slot |
| Mounting                     | Locking screw, allen screw SW 1.5 mm                 |
| Maximum rating               | 200 mA, short-circuit-proof, polarity-safe           |
| Service voltage              | 10 ... 30 V DC                                       |
| Internal power consumption   | 10 mA  |
| Switching output             | pnp, 200 mA, NO, short circuit protected             |
| Contact rating               | 6 W max. (30 V, 200 mA)                              |
| Display                      | LED: yellow - output signal                          |
| Voltage drop                 | 2,0 V  |
| Switching frequency          | 1.000 Hz   |
| Reproducibility              | 0,1 mm   |
| Ambient temperature          | -25 ... +70 °C                                       |
| Insulation voltage endurance | 500 V  |
| Protection class             | IP 68, (Device and cable), IP 67, (Connector)        |
| Protection degree            | III, operation on protective low voltage             |
| Casing material              | Die-cast zinc  |
| Connection                   | cable PUR, Connector, M8, 300 mm                     |
| Connecting cable             | TK ...   |